

4 →

Video

8 →

Audio

Data

Composite Video and Audio Transmission

The OTS-4V8A provides for the digital transmission of 4 Channels of Composite Video and 8 Channels of Analog Audio.

System Design

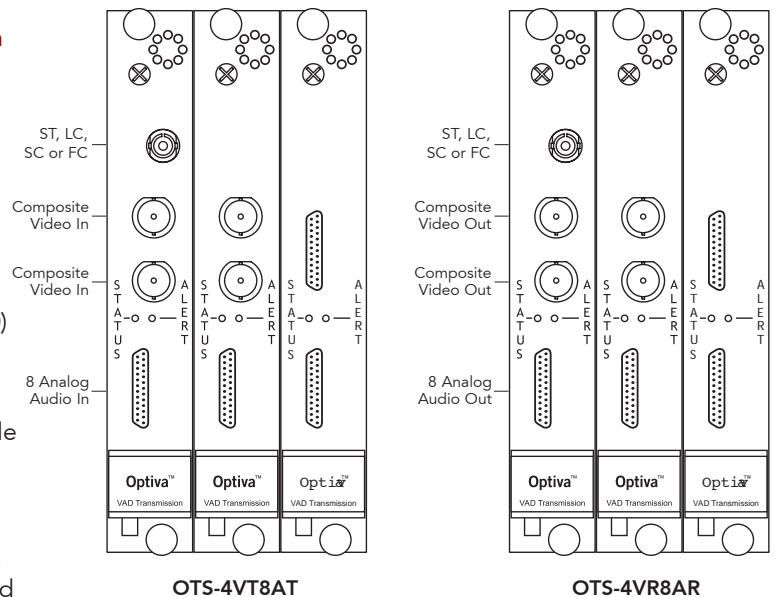
All units come in an insert card version. The cards can be inserted into our 16-slot, 19" rack-mountable card cage (OT-CC-16-100) or one of our smaller Optiva™ Desktop Card Racks (OT-DTCR Series).

The Optiva™ Desktop Card Racks can handle one, two or four insert cards, creating compact, mountable, stand alone systems. The use of separate OT-DTCR enclosures allows for future flexibility and expansion as all cards are hot-swappable and can be used in any enclosure. Each one of our card housing units operate with an appropriate power supply. See "Accessories" for power supply specifications.

Optiva™ Upgrade Path

This system can be purchased without an optical port as an add-on to an existing Optiva™ system daisy-chain. (See "Non-Optical Version" below).

The Optiva™ bandwidth requirement of this system is 1,444 Mbps.



Features

- Composite Video and Analog Audio over one fiber
- TDM - Single Wavelength
- Complies with SMPTE Standards
- Compatible with MDM-7000 Series for WDM and CWDM multiplexing
- No EMI or RFI and no ground loops
- Stand alone or rack-mount
- Ideal for Professional AV applications

Versions Available*

Wavelength (nm) & Fiber	Transmit**	Receive**	Optical Connector	Optical Budget (dB)	Range*** (km)	Form Factor
1310 Multimode	OTS-4VT8AT-B1-XX-IC	OTS-4VR8AR-B1-XX-IC	ST, FC, LC or SC	10	1.5	IC (3-slots)
1310 Singlemode	OTS-4VT8AT-B2-XX-IC	OTS-4VR8AR-B2-XX-IC	ST, FC, LC or SC	7	10	IC (3-slots)
1310 Singlemode (D)	OTS-4VT8AT-B2D-XX-IC	OTS-4VR8AR-B2D-XX-IC	ST, FC, LC or SC	12	20	IC (3-slots)
1550 Singlemode	OTS-4VT8AT-B3-XX-IC	OTS-4VR8AR-B3-XX-IC	ST, FC, LC or SC	17	40	IC (3-slots)
1550 Singlemode (D)	OTS-4VT8AT-B3D-XX-IC	OTS-4VR8AR-B3D-XX-IC	ST, FC, LC or SC	25	60	IC (3-slots)
1270-1610 SM (CWDM)	OTS-4VT8AT-L4-XX-IC	OTS-4VR8AR-L4-XX-IC	ST, FC, LC or SC	Varies	20-70	IC (3-slots)
Non-Optical Version	OTS-4VT8AT-NOC-IC	OTS-4VR8AR-NOC-IC	N/A	N/A	N/A	IC (3-slots)

Analog Audio Codes - To indicate your Analog Audio impedance preference, please use the following instead of "A" in the model number: "AB" = Input Balanced 600 Ohm, Output Balanced 600 Ohm; "ABH" = Input Balanced Hi-Z, Output Balanced Low-Z; and "AUH" = Input Unbalanced Hi-Z, Output Unbalanced Low-Z.

* Contact Opticomm for other versions available.

** XX indicates the type of optical connector. Each of ST, FC, LC or SC are available.

*** Chromatic dispersion and additional losses should be taken into account.

Composite Video, Audio & Data

Video

Standard	SMPTE 170M; RS-250C
Bit Resolution	10-Bit Processing; 10-Bit Transmission
Level	1.0 Volt p-p
Bandwidth	5.5 MHz
Differential Gain	< 1%
Differential Phase	< 0.7°
Compatibility	NTSC, PAL
Signal to Noise Ratio	> 67 dB
Connector	BNC (IEC 60169-8)

Analog Audio

Level	6 dBm In/Out
Bandwidth	20 Hz to 20 KHz
Signal to Noise Ratio	> 80 dB
Total Harmonic Distortion	< 0.1%
Signal Coding	24-bit
Connector	Micro DB25

Impedance Options:

Input	Output
Balanced 600 Ohm	Balanced 600 Ohm
Balanced Hi-Z	Balanced Low-Z
Unbalanced Hi-Z	Unbalanced Low-Z

General

Dimensions & Weight	Insert Card (IC): 6.3" L x 0.8" W x 4.0" H	11 oz
	Operating temperature -20° C to +55° C	
Storage temperature	-40° C to +85° C	
Humidity	0 to 95% non-condensing	
Operating voltage	9-12 V _{DC}	
Consumption	1 Amp Max per Insert Card	
System Latency	Less than 1ms (Audio <10ms)	

Local Monitoring

LED Status Indication

Remote Monitoring

Compatible with OptivaView™
SNMP Management Suite

Optiva™ Configurable
Communication Platform

Network Management

SDI & HD-SDI

Composite Video,
Audio & Data

RGB/VGA/DVI

Audio/FSK/Intercom

Data (Ethernet/Serial/USB)

CATV/RF & L-Band

Optical Switching, Routing
& Redundancy

Passive Multiplexing
Solutions

Enclosures, Racks
& Frames

Power Supplies
& Accessories

10 **ISO**
YEAR **9001:2000**
WARRANTY **CERTIFIED**



FCC PART 15
COMPLIANT

MADE IN THE USA

Sample Configuration

